

VX3058



OCTO CORE INTEL XEON PROCESSOR VPX SERVER BLADE

- ▶ Fit for Virtual Machines and HPEC Applications
- ▶ Extended Life Cycle and 10-year Silicon Reliability
- ▶ Dual 10 Gigabit Ethernet, x8 PCI Express Gen3 Bandwidth
- ▶ 8 Core Xeon® Processor D, 16 GB DDR4 with ECC

VX3058 OCTO CORE INTEL XEON VPX SERVER BLADE

Featuring the Intel® Xeon® D processor family (formerly Broadwell-DE), the VX3058 is the first 8-core multiprocessing board of the Kontron 3U VPX ecosystem. The highly integrated 8-core architecture with Dual 10 Gigabit Ethernet, high bandwidth PCI Express 3.0, high speed DDR4 memory, and versatile mezzanine options, is consequently SWaP-C optimized and simply the best choice for high performance embedded computing platforms.

FIT FOR VIRTUAL MACHINES AND HPEC APPLICATIONS

The server class Xeon® D platform is the basis for advanced server applications, built as virtual machines. All capital and operational efficiencies of using isolated workloads which dynamically share common resources will apply. The unchanged application can easily adapt to hardware evolution such as CPU count, memory, I/O availability, or even formfactor. By virtualisation, embedded solutions become a future-proof investment.

VX3058 brings server class applications into the battlefield. Typical applications are:

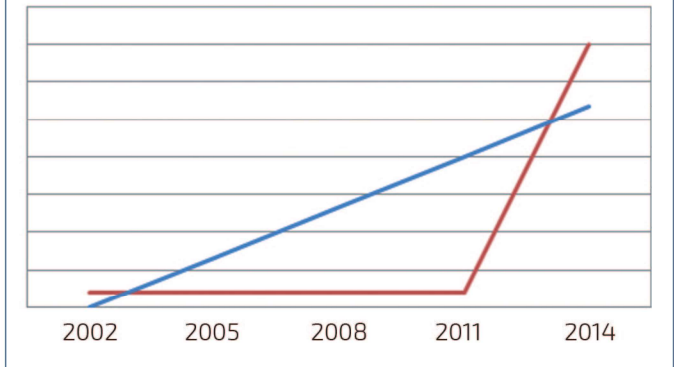
- ▶ radar, sonar
- ▶ imaging systems
- ▶ airborne fighter and UAV radar
- ▶ long term programs in harsh environments

LEADING EDGE ARCHITECTURE FOR MULTI-CPU SYSTEMS

VX3058 provides two 10 GBASE-KR ports and 8 lanes Gen3 PCI Express to the backplane. Kontron VxFabric™ technology provides a TCP/IP protocol over the PCI Express infrastructure towards the application. A 10 Gigabit Ethernet switch and a PCI Express Switch can be complemented with two single star data planes, for 10 GETH and for PCI Express, respectively. A unique API with TCP/IP sockets makes it a powerful, leading edge Multi-CPU computing node architecture.

Kontron's sample turnkey system StarVX implements this architecture, targeting in maximum bandwidth. While computing power has been continuously increasing in the past, and I/O bandwidth did not, the balance of both is back again by Kontron StarVX.

COMPUTING POWER VS I/O BANDWIDTH

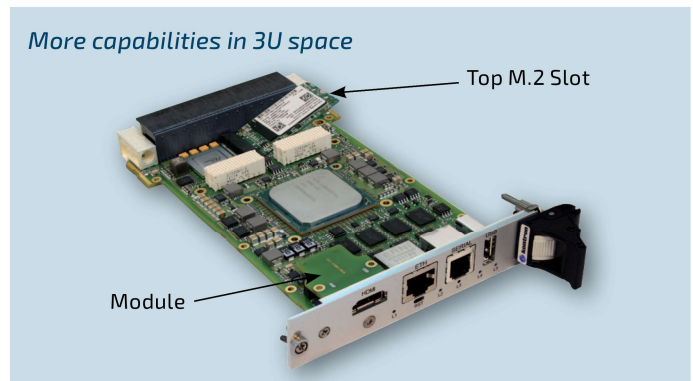


LONG TERM PROGRAMS: HIGH RELIABILITY, LOW TCO

Kontron is providing outstanding elements to increase reliability and to lower Total-Cost-of-Ownership (TCO) for VX3058. Kontron provides a Long Term Supply program service (LTS) for over 15 years. Intel Communications silicon reliability is 10 years. A comprehensive Health Management is optionally available to support easy field maintenance. All this makes the VX3058 the ideal candidate for long term programs.

VERSATILE OPTIONS: XMC, STORAGE, GRAPHICS, M.2, I/O

The M.2 interface can be used for storage or for integration of customized personality modules. A XMC slot and 2-D graphics are additional options. Front-I/O module options are selectable for DVI/HDMI or Ethernet or other interfaces.



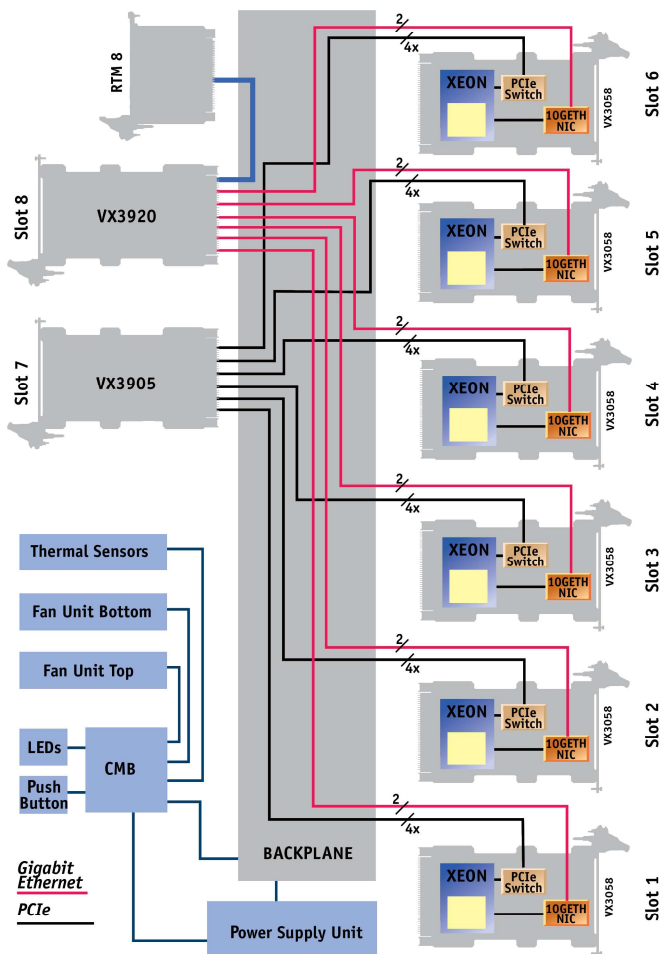
CENTRALIZED HEALTH MANAGEMENT

A shelf manager is optionally available for centralized health management. Moreover, sequenced system power-up and Temperature/Power/Performance management are available. The Power-On Built-in Test (PBIT) option is a comprehensive package for board and system diagnosis.

KONTRON VPX ECO SYSTEM AND VALIDATED SOLUTION

VX3058 boards are compatible with all Kontron 3U VPX and 6U VPX building blocks (payload boards, carriers, switches, backplanes, OS, and drivers) and offer backward compatibility with the previous product generations.

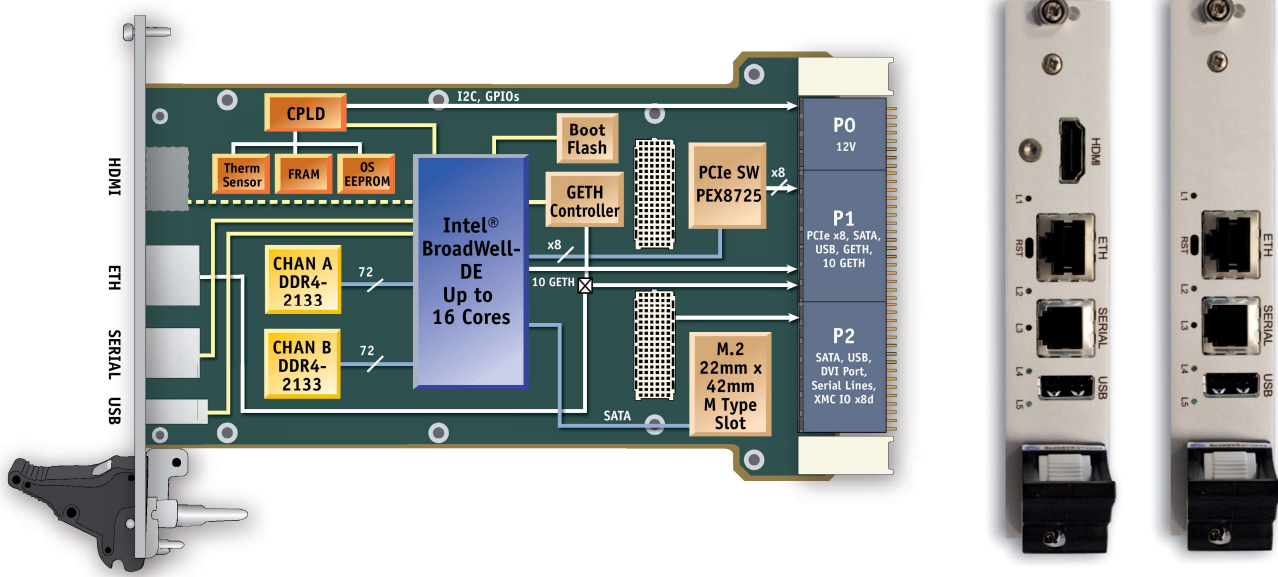
Reduce your time to market by starting with an already complete and validated platform, by use of StarVX turn key systems with off the shelf elements.



TECHNICAL SPECIFICATION

| | | |
|---------------------------|---|--|
| PROCESSOR | | Fifth Generation Intel® Xeon® D Octo Core™, 35W, 1.6 GHz (8 execution cores, 16 threads, 12 MB) DDR4 dual channel memory with ECC, 2133 Mbits/s over 144 bits, up to 16 Gbytes Integrated dual 10G Ethernet controller PCIe gen3 x8 ports to VPX and XMC, up to 8 GT/s |
| ONBOARD CONTROLLER | Integrated Platform Controller Hub Gigabit Ethernet Watchdog System CPLD RTC | PCI Express* Base Specification, Revision 2.0 support for up to eight ports with transfers up to 5 GT/s Integrated Serial ATA host controllers with independent DMA operation on up to six ports xHCI USB controller provides support for up to 8 USB ports, of which four can be configured as SuperSpeed USB 3.0 ports Two Integrated serial lines One I210 Ethernet controller connected on front panel or VPX backplane (user selection) for 1000BASE-T operation 2 nd I210 Ethernet controller connected on VPX backplane for 1000BASE-T operation, and optionally to the front panel (user selection) if the I/O profile option for "2 nd RJ-45 Ethernet 1000BASE-T to the front option" is selected. PLD-based, timeout ranging from 2 μs to 510s, IRQ, Reset, dual-stage One CPLD Board controller for power sequencing, reset handling, monitoring, failure detection, VPX I2C communication. Provides configuration/status registers on LPC interface Separated low power RTC with optional onboard battery |
| MEMORY | System Memory Flash (uEFI BIOS) EEPROM M.2 SSD option | Up to 16 GB dual channel DDR4 SDRAM running at 2133 MT/s, with ECC, soldered 2x16 MB FLASH, with recovery image and uEFI BIOS settings One serial 256 Kbit EEPROM dedicated to system data One serial 256 Kbit EEPROM dedicated to application data M.2 SSD module option: Type M, 22 mm x 42 mm |
| FRONT INTERFACES SHP (1") | USB Gigabit Ethernet HDMI (option) Serial LEDs Reset | 1x USB 2.0 port 1x RJ-45 connector: 10/100/1000BASE-T Ethernet Note: This port is configurable from the BIOS to be routed to the VPX rear connector instead HDMI connector as option. This includes a HDMI front-I/O module and a M.2 mezzanine for 2D graphics. Remark: HDMI front I/O and XMC support are exclusive. 1x RJ-11 connector: Two EIA-232 interfaces or one EIA-485 interface from CPU, without hardware flow control 5 LEDs reporting the board CPU health status and activity Reset push button |
| ONBOARD INTERFACES | CPU Debug Interface M.2 module interface XMC Slot option | Bottom Debug connector for Port80, Spare x1 PCIe link with clock Top M.2 slot for a 2D graphic module or a SSD module, compatible with a 12mm stacking height XMC slot. M.2 type M standard ping mapping for SSD module or 2D graphic module option Supported module: Type M, 22 mm x 42 mm. One x8 PCIe 2 provision for XMC slot option. X8d+X4s VITA 46.9 XMC I/O routing, 8 differential pairs plus 4 single ended pins For XMC slot option, please contact us because of thermal aspects. |
| VPX INTERFACE | Slot Profiles Rear I/O via P0/ P1/P2 Supervisory Functions Power Supplies | SLT3-PAY-2F2U-14.2.3 SLT3-PAY-1F1F2U-14.2.4 SLT3-PAY-1F1U-14.2.10 ▶ x8 PCIe 3.0, non transparent capability, on P1. Configurable as 1 x8, 2 x4, or 4 x2. ▶ 2 SATA 6 Gb/s links on P1, 2 additional SATA 6 Gb/s links on P2 ▶ 2 USB 2.0 and 1 USB 3.0 port on P1, 1 additional USB 2.0 link on P2 ▶ 2 serial lines (Rx, Tx only) on P2, for RS-232 or RS-422/485 by using dynamic configuration ▶ 2 10GBASE-KR, or SFP+/SFI, or 1000BASE-KX on P1 ▶ 1 1000BASE-T on P1, 2 nd 1000BASE-T on P2 (both front/rear switchable, onboard magnetics) ▶ GPIOs on P1: GPIO1, GPIO2/Maskable reset, OpenVPX GDISCRETE1, VBAT, SYSCON. 2x multiplexed GPIO3/4 or SFI I2C on P0 ▶ DVI port on P2 as option. This includes a M.2 mezzanine for 2D graphics. ▶ Non Maskable RESET ▶ NVMRO, Master SMBus and Master/Slave SMBus interfaces for system management. Compatible with Kontron CMB (Monitoring Board), temperature and voltage sensors on the board ▶ PCIe optional use of common reference clock feature On P0: VS1=12V; VS2=12V reserved; VS3=5V not used; 3.3V_AUX optional, -12V_AUX for XMC slot option |
| OS SUPPORT | | Linux Fedora 21, ask for: Windows, VxWorks |

▶ VX3058 BLOCK DIAGRAM AND FRONT PANEL



▶ ENVIRONMENTAL SPECIFICATION

| | SA - Standard Commercial (1" single height passive module heat sink, forced air) | RC - Rugged Conduction-Cooled (Depending on processor frequency) Planned for Q4/2016 |
|----------------------------|---|--|
| CONFORMAL COATING | Optional | Standard |
| AIRFLOW | 26 cfm | NA |
| TEMPERATURE | VITA 47-Class AC1 | VITA 47-Class CC3, CC4 option |
| COOLING METHOD | Convection | Conduction |
| OPERATING | 0° to +55°C | -40° to +71°C, +85°C option |
| STORAGE | -45° to +85°C | -45° to +100°C |
| VIBRATION SINE (OPERATING) | 20-500 Hz - 2g | 20-2,000 Hz - 5g |
| RANDOM | VITA 47-Class V1 | VITA 47-Class V3 |
| SHOCK (OPERATING) | 20g/11 ms Half Sine | 40g/11 ms Half Sine |
| ALTITUDE (OPERATING) | -1,500 to 60,000 ft | -1,500 to 60,000 ft |
| RELATIVE HUMIDITY | 90% without condensation | 95% without condensation |

▶ ORDERING INFORMATION

| ARTICLE | ORDER CODE | DESCRIPTION |
|---------|--------------------|--|
| VX3058 | VX3058-SA881150000 | 3U single slot 5 HP (1.0") VPX CPU Blade with 8 core Intel® Xeon® D processor, 1.6 GHz, 12 MB, 35W, 8 GB dual-bank DDR4, Base Front-I/O, fully switched x8 PCIe 3, Air-Cooled VITA 47 Class AC1 (0°C to +55°C) |
| VX3058 | VX3058-SA881151000 | 3U single slot 5 HP (1.0") VPX CPU Blade with 8 core Intel® Xeon® D processor, 1.6 GHz, 12 MB, 35W, 8 GB dual-bank DDR4, additional graphics HDMI front /rear, fully switched x8 PCIe 3, Air-Cooled VITA 47 Class AC1 (0°C to +55°C) |

▶ CORPORATE OFFICES

EUROPE EMCOMO Solutions AG

Industriestr. 10, 89231
Neu-Ulm, Germany
Tel.: +49 731 880 3510
Fax: +49 731 880 35129
kontron@emcomo.de
www.emcomo.de

NORTH AMERICA

14118 Stowe Drive
Poway, CA 92064-7147
USA
Tel.: +1 888 294 4558
Fax: +1 858 677 0898
info@us.kontron.com

ASIA PACIFIC

17 Building, Block #1, ABP.
188 Southern West 4th Ring Road
Beijing 100070, P.R.China
Tel.: +86 10 63751188
Fax: +86 10 83682438
info@kontron.cn