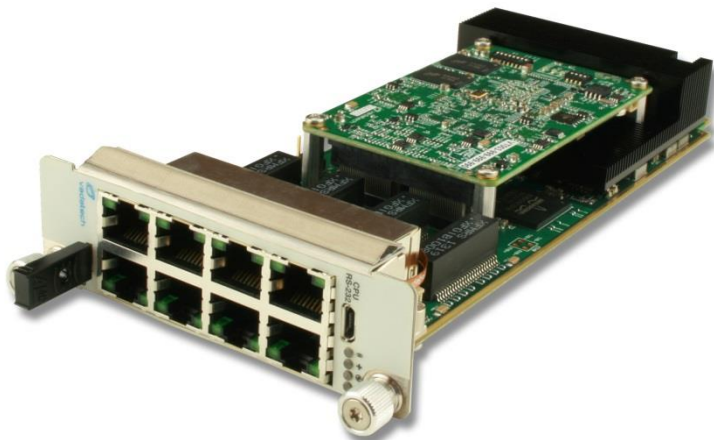


12 Port AMC GbE Managed Layer 3 Switch – AMC249

12 Port, GbE Managed Layer 3



KEY FEATURES

- Managed Layer 3 GbE switch
- AMC.2 compliant
- Octal 10/100/1000BaseT Ethernet via RJ-45 ports on front panel
- Dual 10 GbE and dual 1GbE routed to the rear
- Support up to 32K MAC address
- 4K VLANs
- Packet classification using eight IEEE802.1p
- Support for IEEE802.1ad, IEEE802.1ah and IEEE802.1Qay
- Synchronous Ethernet layer one clock recovery
- Packet-based time synchronization IEEE1588 and IEEE802.1AS
- 13K Jumbo frames

Benefits of Choosing VadaTech

- Layer 3 switch with 8 front panel RJ-45 ports
- Design utilizes proven VadaTech subcomponents and engineering techniques
- Electrical, mechanical, software, and system-level expertise in house
- Full ecosystem of front and rear boards, enclosures, specialty modules, and test/dev products from one source
- AS9100 and ISO9001 certified company

The AMC249 is a single module, full-size AdvancedMC (AMC) based on the AMC.2 specification. The AMC249 provides 8 front panel 10/100/1000 Ethernet ports via RJ-45. It routes two 1GbE to ports 0 and 1. In addition it has two 10GbE routed to ports 4-7 and 8-11.

The switch is managed via telnet and supports a rich set of features such as VLAN, RSTP, QoS, Mirroring, etc. The RS-232 interface in the front panel can also be used to manage the switch. The modules can support up to eight QoS queues per port with hierarchical minimum/maximum shaping per Class of Service (CoS), per queue, per port.

VadaTech can modify this product to meet special customer requirements. Contact us to discuss your application.

12 Port AMC GbE Managed Layer 3 Switch – AMC249

INTEGRATION SERVICES AND APPLICATION-READY PLATFORMS

VadaTech has a full ecosystem of ATCA and μ TCA products including chassis platforms, shelf managers, AMC modules, Switch and Payload Boards, Rear Transition Modules (RTM), Power Modules, and more. The company also offers integration services as well as pre-configured Application-Ready Platforms. Please contact VadaTech Sales for more information.

BLOCK DIAGRAM

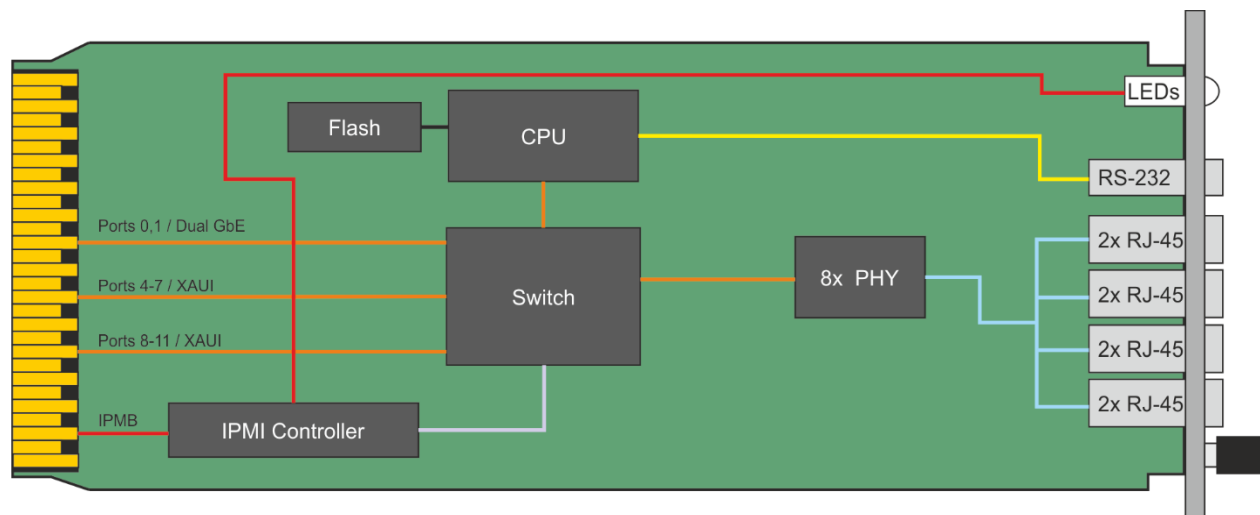


Figure 1: Block Diagram

12 Port AMC GbE Managed Layer 3 Switch – AMC249

SPECIFICATIONS

Architecture		
Physical	Dimensions	Single module, full-size
		Width: 2.89" (73.5 mm)
		Depth: 7.11" (180.6 mm)
Type	AMC Ethernet	GbE Switch, 12 ports (2 of 10GbE, 2 of GbE, 8 of 10/100/1000)
Standards		
AMC	Type	AMC.2
Module Management	IPMI	IPMI Version 2.0
Configuration		
Power	AMC249	15W
Environmental	Temperature	Operating temperature: -5° to 55° C (air flow requirement of >200 LFM, industrial versions also available (See environmental spec sheet))
		Storage temperature: -40° to +85° C
	Vibration	Operating 9.8 m/s ² (1G), 5 to 500 Hz
	Shock	Operating 15G on each axis
	Relative Humidity	5 to 95 percent, non-condensing
Front Panel	LEDs	IPMI management control
		Activity and Link
	Interface Connectors	RJ-45 for 10/100/1000BaseT Ethernet microUSB for RS232 port
	Mechanical	Hot swap ejector handle
Software Support	Operating System	Independent
Other		
MTFB	MIL Handbook 217-F@TBD Hrs	
Certifications	Designed to meet FCC, CE and UL certifications where applicable	
Compliance	PICMG 3.0 Rev 3.0, RoHS 2 and NEBS Level 3.	
Standards	VadaTech is certified to both the ISO9001:2000 and AS9100B:2004 standards	
Warranty	Two (2) years	
Trademarks and Disclaimer	The VadaTech logo is a registered trademark of VadaTech, Inc. Other registered trademarks are the property of their respective owners. AdvancedTCA™ and the AdvancedMC™ logo are trademarks of the PCI Industrial Computers Manufacturers Group. All rights reserved. Specification subject to change without notice	

12 Port AMC GbE Managed Layer 3 Switch – AMC249

ORDERING OPTIONS

AMC249 – ABC – 00F – GHJ

A = AMC Ports 4-11 as 10GbE

- 1 = Ports 4-7
- 2 = Ports 8-11
- 3 = Ports 4-11

B = Layer 2/3 Managed

- 1 = Layer 2 Managed
- 2 = Layer 3 Managed

C = Front Panel Size

- 1 = Reserved
- 2 = Reserved
- 3 = Full-size

F = SyncE Clock Holdover Stability

- 0 = Standard (XO)
- 1 = Stratum-3 (TCXO)

G = Front Panel

- 0 = μ TCA.0
- 1 = μ TCA.1

H = Operating Temperature

- 0 = Commercial (-5° to +55° C)
- 1 = Industrial (-20° to +70° C)
- 2 = Military (-40° to +80° C)*

J = Conformal Coating

- 0 = None
- 1 = Humiseal 1A33 Polyurethane
- 2 = Humiseal 1B31 Acrylic

*Edge of module for conduction-cooled boards

RELATED PRODUCTS



AMC213 Quad
Port 10GbE NIC



AMC735 10GbE
Packet Processor



UTC002 MCH

CONTACT US

VadaTech Corporate Office

198 N. Gibson Rd.
Henderson, NV 89014
Email: info@vadatech.com
Telephone: +1 702 896-3337
Fax: +1 702 896-0332

Asia Pacific Sales Office

7 Floor, No. 2, Wenhui Street, Neihu District,
Taipei 114, Taiwan
Email: info@vadatech.com
Telephone: +886-2-2627-7655
Fax: +886-2-2627-7792

VadaTech European Sales Office

Ocean Village Innovation Centre, Ocean Way,
Ocean Village, Southampton, SO14 3JZ
Email: info@vadatech.com
Telephone: +44 2380 381982
Fax: +44 2380 381983